

8

7

6

5

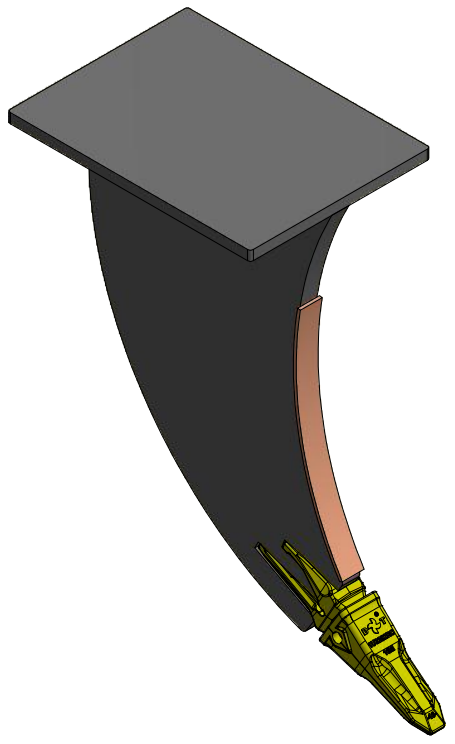
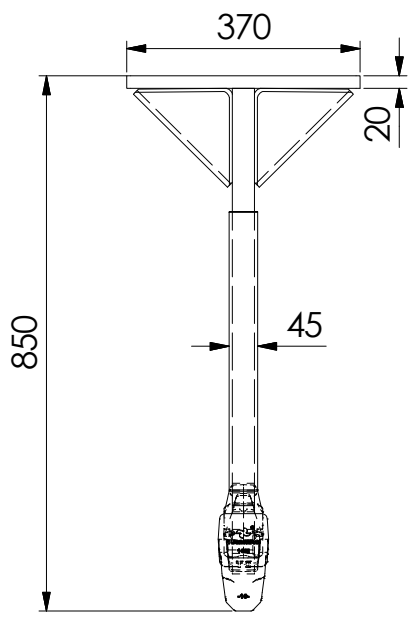
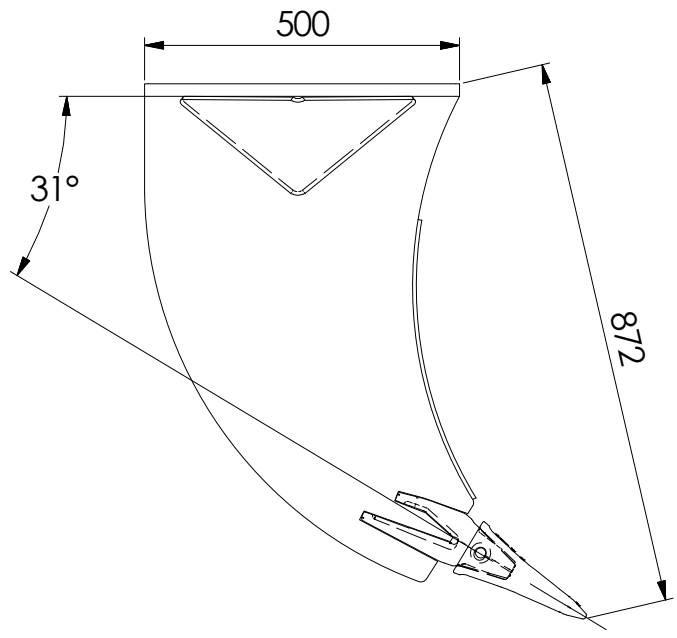







4

3

2

1



MATERIAL SPECIFICATION	
	ST52.3
	EN8D
	HB 400
	HB 450
	CASTALLOY STEEL

<b>SCANBOLT®</b>	
DESCRIPTION	RIPPER
MACHINE CLASS	6.0 - 10 TON
WEIGHT	123.4 Kg
HEAPED CAPACITY	N/A

8

7

6

5



4

3

2

1

D

C

B

A

D

C

B

A